



Telephone: +44 (0)1457 835 391, Email: sales@victoriafans.co.uk, Fax: +44 (0)1457 833 378

AXIAL FLOW FANS - PLATE MOUNTED AXIAL

Our Axial Fans can be supplied as both cased and plate mounted versions. These fans are suitable for most applications including general ventilation for large, medium and small industrial spaces. The size of space and purpose will determine which variant and size of fan is most appropriate to your specific requirement. Our experts are on hand to assist you with choosing the correct fan.

ARRANGEMENT

Direct driven Single or Multi stage fans suitable for vertical or horizontal mounting.

STAGING OF AXIAL FLOW FANS

By running two Long Cased Fans in series with contra-rotating impellers, it is possible to achieve up to three times the pressure of a single stage fan of equal diameter and speed.

LONG CASED TYPE

In this instance the casing covers the entire length of the motor and impeller and an inspection door is provided. Essentially for duct mounting where flanges are bolted back and front.

SHORT CASED TYPE

The casing covers the impeller track and a portion of the motor projects beyond the end of the flange. Best installed at the end of a duct or on Air Conditioning equipment.

MOTORS

In most instances foot mounted TEFC IEC 600034-1. Electric motors are fitted with metric dimensions. The motors are selected to cover the 'peak' power absorbed for fan blade pitch angle and speed. Most standard motors have Class 'F' insulation and are suitable for operating at temperatures of up to 50°C (122°F). Higher temperatures available if required.

The standard voltages are 220, 230/380, 380, 240/215 and 460. Motors can be wound for any voltage and frequency and also for dual voltage. The use of standard foot mounted motors of this type guarantees inter-changeability in most countries of the world with machines of similar speed/kw. INVERTER CONTROLLED, FLAMEPROOF, SINGLE PHASE, 2 SPEED AND COMPANY SPECIFICATION MOTORS CAN ALWAYS BE OBTAINED.

STANDARD IMPELLERS 250-1250MM DIA

Impellers have aerofoil section polypropylene blades fitted into a die-cast aluminium hub. Five different blade angles are available and each blade is individually replaceable in the event of breakage. Aluminium blades are also available in selected angles.

SPECIAL IMPELLERS 250-2000MM DIA

Impellers have aerofoil variable pitch aluminium blades fixed into a die-cast aluminium hub.

FRACTIONAL SOLIDITY IMPELLERS

All sizes of impellers can be supplied with varying number of blades to suit the application. This has the effect of reducing the static capability of the fan whilst retaining a high efficiency.

EXAMPLE OF CODING

A typical example of coding is 630/9/35 indicating :

630 diameter in mm

9 number of blades

35 blade angle in degrees

EXTRA FEATURES AVAILABLE

Mounting feet, flexible connections, AV Mountings, Mating Flanges, Inlet Cones, Guards, Back-draught shutters, Special Paint. Finishes: External Terminal Box.

FINISH

Standard Fans: Galvanised

Optional Finishes: Epoxy Resin, Metal Spraying

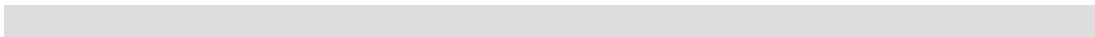


PLATE MOUNTED AXIAL



Plate Mounted Axial fans are designed for Clean Air Supply and extraction of poor quality air. By adding a vertical jet or low profile cowl, these fans serve as effective roof extract units. See Cowel options.

POSITIONING

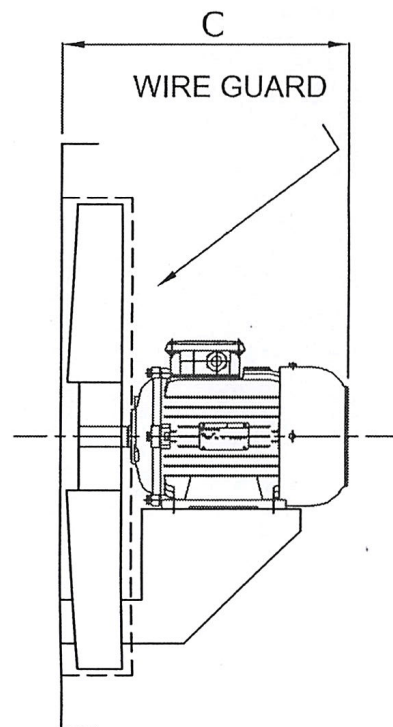
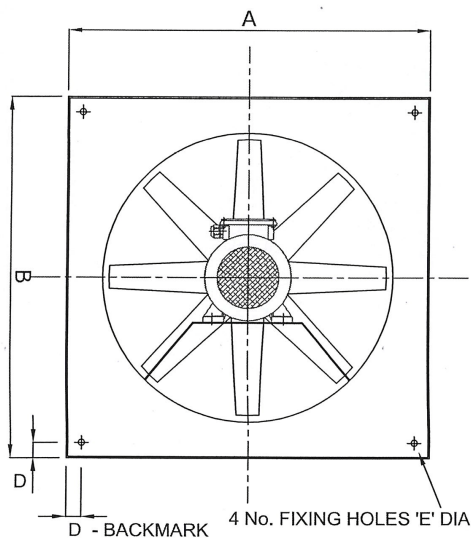
Wall or roof mounting where ducting is not required.

CONSTRUCTION

Mounting Plate: Fabricated in Steel and finished in Epoxy resin. 304 or 316 Stainless Steel available if required.?

Impellers: Aluminium Hub with polypropylene blades. Anti-Static or Aluminium blades available if required

Motors: Single or 3 phase Class F IP55 as standard with 2 speed, Zone 1 or Zone 2 as optional extras



Fan Size	Frame	A	B	C	D	E
250	71	370	370	330	25	10
315	71	435	435	330	25	10
350	71	500	500	330	25	10
400	71	550	550	330	25	10
450	71	600	600	330	25	10
500	80	650	650	380	25	10
560	80	710	710	380	25	10
630	80	800	800	380	25	10
630	90	800	800	400	25	10
710	80	900	900	375	40	12
710	90	900	900	400	40	12
710	100	900	900	445	40	12
800	90	1000	1000	415	40	12
800	100	1000	1000	460	40	12
800	112	1000	1000	460	40	12
900	100	1100	1100	460	50	14
900	112	1100	1100	460	50	14
900	132	1100	1100	540	50	14
1000	100	1250	1250	460	50	14
1000	112	1250	1250	460	50	14
1000	132	1250	1250	465	50	14

1. This type of fan can be fitted beneath in LOW PROFILE or VERTICAL JET ROOF COWL as supplied by Victoria Fans. 2. The fans may only be operated when installed as intended and when safety is ensured.

Victoria Fan Limited
Audley Street Works, Audley Street, Ashton-under-Lyne, Greater Manchester,
United Kingdom OL5 9HW